



BATH HEATER

120 VOLT AND 240 VOLT MODELS

PLUMBING INSTALLATION INSTRUCTIONS

IMPORTANT: Read complete instructions prior to beginning installation.

Your bath heater has been specifically designed to enhance the enjoyment of your whirlpool bath. Once the bath is filled with hot water, the temperature is **maintained** at a selected setting by the heater's automatic thermostat.

Your unit is totally self-contained to ensure trouble free installation and operation. As with all electrical devices, certain safety precautions should be taken during installation and operation.

INSTALLATION

To Install Heater – Inline Models

Locate the plumbing line to the jets (**for pressure switch models**) or from the suction fitting (**for vacuum switch models**) to the pump. Using a PVC pipe cutter, cut out a 7 1/2" long straight section of plumbing and discard. If the diameter of your plumbing line does not match the provided tailpiece, you will need to add the necessary adapter fittings and cut the pipe length to fit accordingly. Remove burrs and any debris. Cement each tailpiece fitting onto the cut off pipe ends using the appropriate PVC cement. With the gaskets in place, assemble the fittings to the heater and hand tighten securely to prevent water leakage.

Vacuum Heaters (Suction) - After installing the inline heater, added plumbing support for the suction line may be required. A spacer as shown in Figure 1 should be positioned under the plumbing. The suction line should slope evenly from the pump to the suction fitting so the pump line will drain completely.

INLINE INSTALLATION

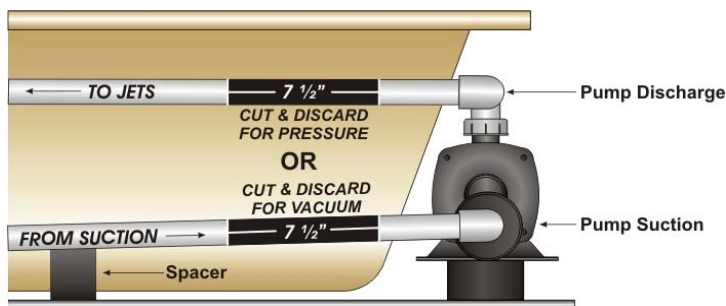


Fig. 1

PLUMBING ASSEMBLY

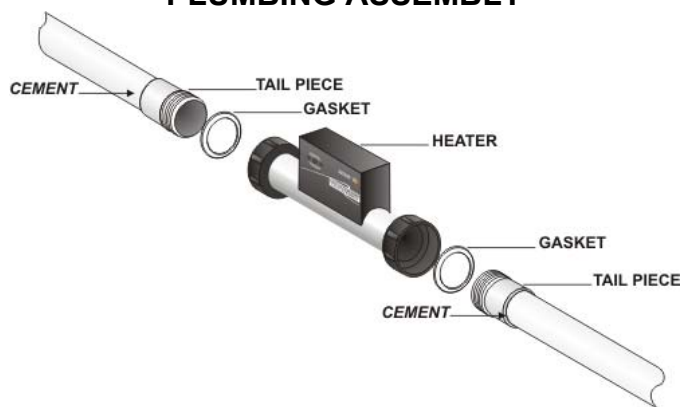


Fig. 2

Additional heater configurations are available if there is insufficient room or access. A heater may also be installed above the pump (directly to the pump for T-Style). Figures 3 and 4 (on opposite page) show typical Inline heater installations. The heater can be located on either side of the pump's discharge, rotated Up or Down.

Figure 5 shows the T-Style installation (the heater mounted directly to the pump).

HYDROQUIP™

THE SMART CHOICE™

13345 Estelle Street • Corona, CA 92879-1881
Email: hq@hydroquip.com • Internet: <http://www.hydroquip.com/>
Telephone: 909.273.7575 • Fax: 800.332.7190

CONFIGURATIONS

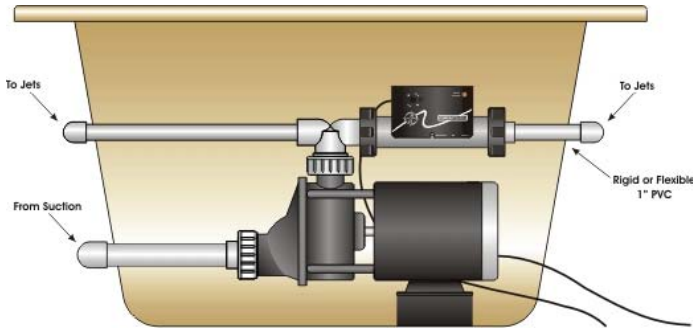


Fig. 3 – Inline Pressure (Positioned Up)

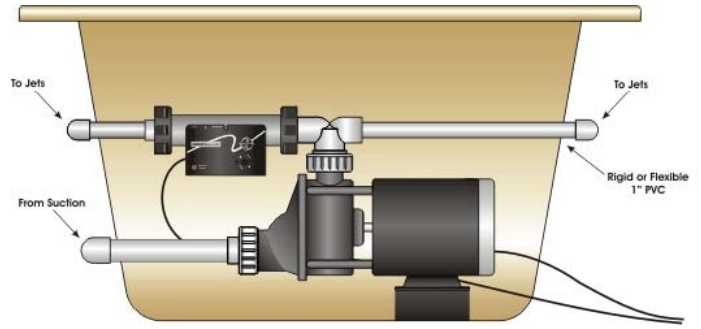


Fig.4 – Inline Pressure (Positioned Down)

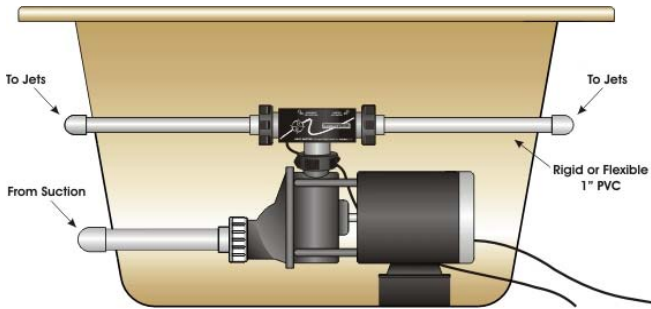


Fig. 5 – T-Style

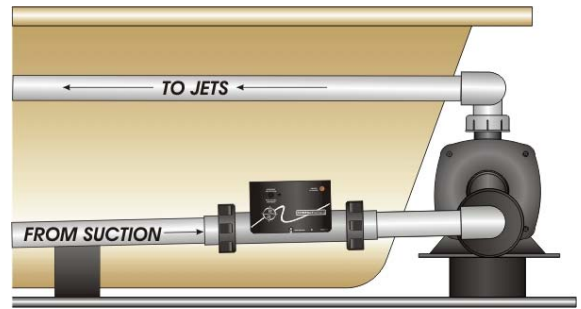


Fig. 6 – Vacuum

Electrical Connection

Before making electrical connection, inspect the heater data label to determine if you have a 120VAC or a 240VAC unit. Install a separate 120VAC / 15AMP or 240VAC / 15AMP dedicated circuit with GFCI (Ground Fault Circuit Interrupter) protection. With a No. 8 solid copper wire, bond the heater to the homes electrical panel or approved local bonding point. A bonding lug has been provided on the heater.

At initial start-up and before each use thereafter with power ON, push the GFCI test button. The reset button should pop out. Push this button in to reset. If the interrupter fails to operate in this manner, there is a ground current flowing or a device malfunction, indicating the possibility of electrical shock. **Turn off the power and do not use the bath until the source of the problem has been identified and corrected.**

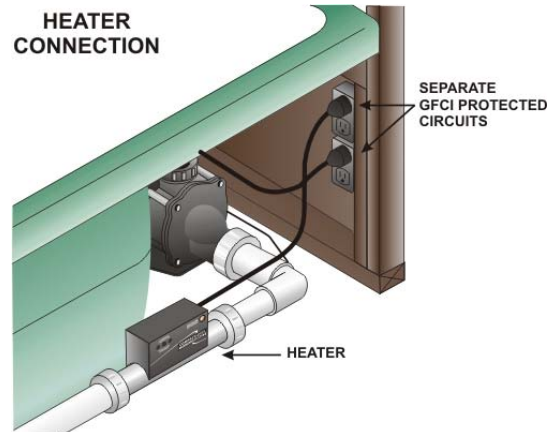


Fig. 7 – Inline Vacuum

OPERATION

Operation

Once the heater is installed and the whirlpool pump is operating, the heating function is totally automatic. The heater will help maintain the temperature of the water in the bath.

Pressure or Vacuum Switch

The heater is equipped with a preset pressure or vacuum switch. The pump must be running with water flowing in the whirlpool to allow the heater to turn on.

Indicator Light

This light turns on whenever the heater is operating.

High-Limit Switch

The heater includes an exclusive “Intelligent High-Limit”. This safety circuit will not “false trip” from hot tap water. It will only turn the heater off if the thermostat fails. To reset, simply press the button. If the high-limit trips frequently, call a service technician.

